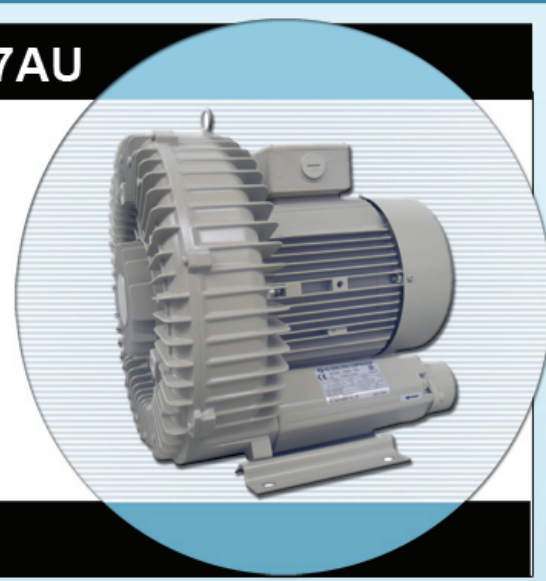


MODELS RB60-5BU, 5AU, 6BU, 6AU, 7BU & 7AU

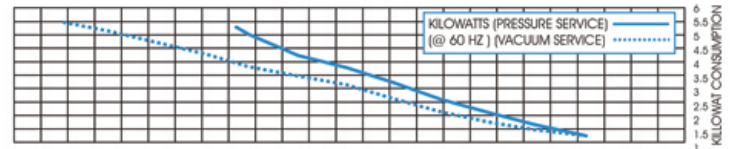
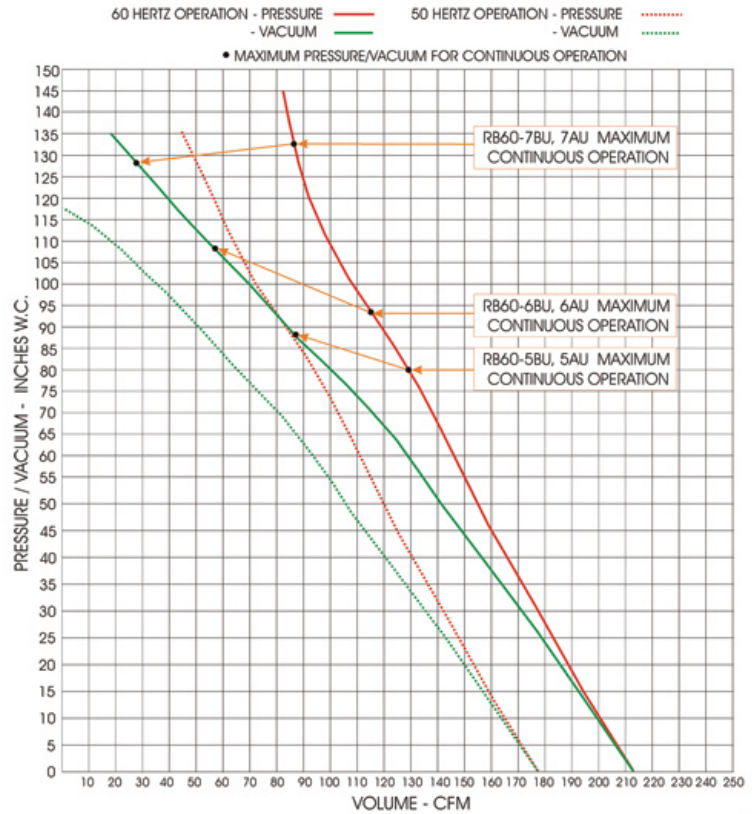
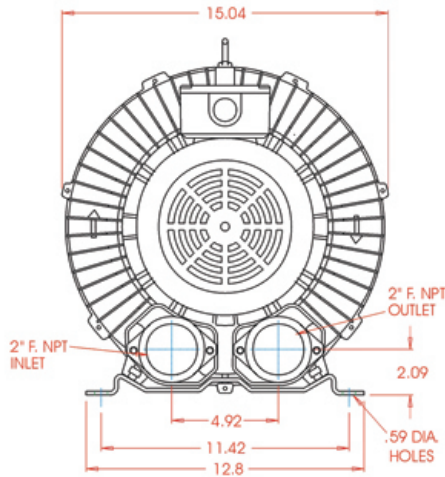
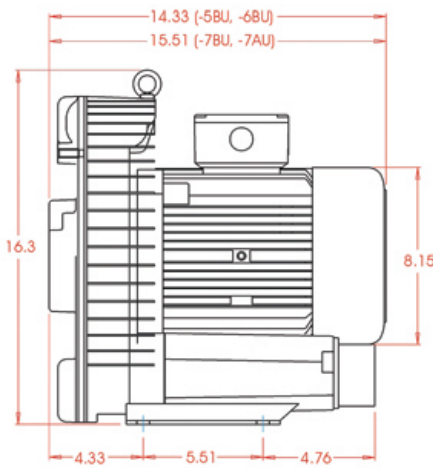
CONSTRUCTION FEATURES

- Casings and impellers are constructed of fine cast aluminum alloy for rapid heat dissipation and weight reduction.
- CSA certified compliance with National Electrical Code, and Canadian Electrical Code for use in all U.S. States and Canadian Provinces.
- Thermal overload protection included (pilot duty).
- TEFC motors (IEC IP54).
- Mount horizontal or vertical (impeller down only).
- Integral mufflers for quiet operation.
- 2" F. NPT flanged connections.



PERFORMANCE AND DIMENSIONS

DIMENSIONS - INCHES



ELECTRICAL SPECIFICATIONS AND CAPACITIES

MODEL NUMBER	PH	HZ	VOLTAGE	RATED kW	MAX. AMPS (60 HZ)	MAX. PRESS IN. W.C.	MAX. VAC IN. W.C.	MAX. CAPACITY CFM	WEIGHT LBS.	NOISE LEVEL dBA
RB60-5BU	3	50-60	208-275 / 380-480	2.55	11.3-10.6/6.4-5.9	80	88	212	80	78
RB60-5AU	3	60	575	2.55	4.2	80	88	212	80	78
RB60-6BU	3	50-60	208-275 / 380-480	3.45	14.9-13.2/8-7.6	93	108	212	80	78
RB60-6AU	3	60	575	3.45	5.3	93	108	212	80	78
RB60-7BU	3	50-60	208-275 / 380-480	4.6	17.2-14.7/9.5-8.5	133	128	212	91.5	78
RB60-7AU	3	60	575	4.6	5.9	133	128	212	91.5	78