

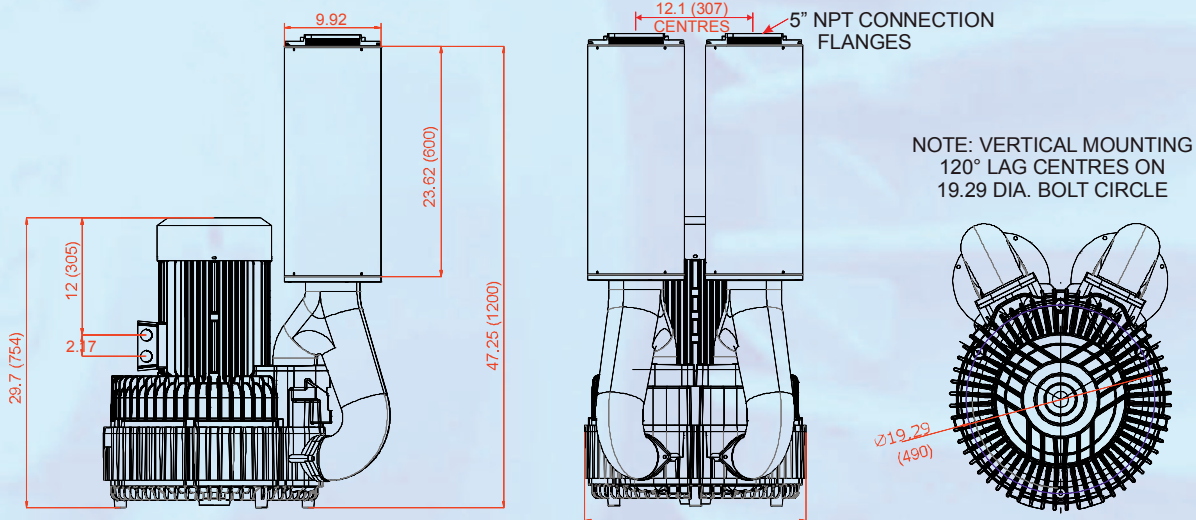
MODEL DG940-26, 27, 36, 37, 46 & 47 REGENERATIVE BLOWERS (RING COMPRESSORS)

CONSTRUCTION FEATURES

- Fine grain cast aluminum impeller and casings for maximum heat dissipation
- C-UL-US registered for service in Canada and the USA
- IP-55 rated (TEFC) motors
- Mountable in either horizontal or vertical positions
- Inlet and outlet silencers for quiet operation
- 5" F. NPT connection size

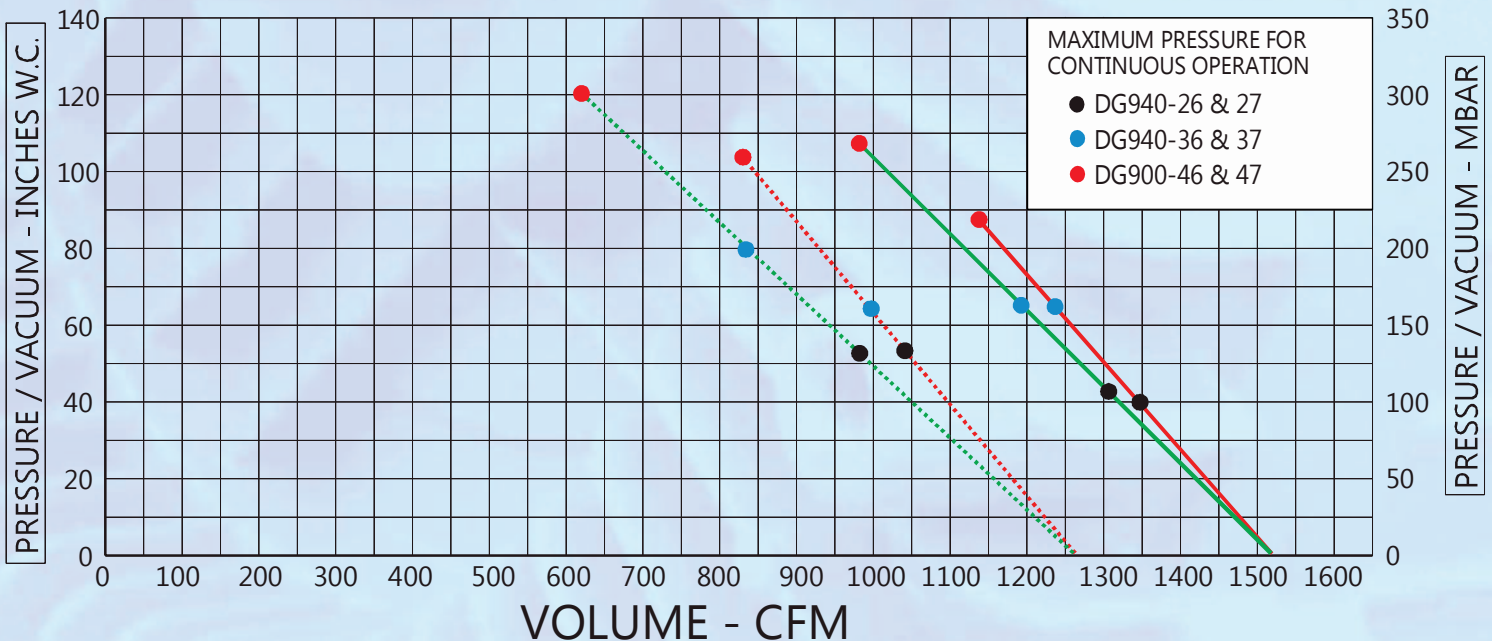


DIMENSIONS - INCHES (MM)



60 HERTZ OPERATION - PRESSURE ———
- VACUUM ———

50 HERTZ OPERATION - PRESSURE
50 HERTZ OPERATION - VACUUM



ELECTRICAL SPECIFICATIONS AND CAPACITIES



MODEL NUMBER	PH	HZ	VOLTAGE	RATED kW	MAX AMPS	* MAX. PRESS. IN. W.C.	* MAX VAC IN. W.C.	MAX FLOW CFM	WT. LBS	NOISE LEVEL dBA
DG940-26	3 3	50 60	200-240/345-415 220-275/380-480	13 15	46.8 / 27 51.5 /29.8	40 27	52 40	1267 1522	407 407	75 84
DG940-27	3	60	575	15	19	27	40	1522	407	84
DG940-36	3 3	50 60	200-240/345-415 220-275/380-480	20 22	66.7/38.6 76/44	64 64	80 76	1267 1522	458 495	75 84
DG940-37	3	60	575	22	28	64	76	1522	458	84
DG940-46	3 3	50 60	200-240/345-415 220-275/380-480	25 29	88.5/51 92/53.2	104 88	120 108	1267 1522	495 495	75 84
DG940-47	3	60	575	29	39	88	108	1522	495	84

* Maximum operating pressure and vacuum levels are based on optimum supply voltage. Low (or high) voltage supply may reduce the achievable pressure/vacuum levels while remaining within nameplate amperage limitations.

RECOMMENDED OPTIONAL ACCESSORIES

Inlet filter/silencer provides 10 micron filtration for blower and process protection. Replaceable paper cartridge (optional polyester element or filtration ratings). Size and model on application.



In-line vacuum filter for vacuum systems or remote air intake for pressure. Replaceable 10 micron paper cartridge (optional polyester element). Size and model on application



Pressure Relief Valve for installation in the discharge piping for pressure applications, is required to protect the blower from operating at excessive pressure and/or allowing constant pressure operation.
Model VRL9



Check valves prevent back-flow during blower off periods where installations include multiple blowers. Size according to system piping to prevent excessive pressure drop.
Model 5002A-5, 5" conn.
Model 5002A-6", 6" connection



Magnehelic pressure gauge may be used for pressure, vacuum or differential pressures determined by the connections used.



Model 2100 - Range 0 to 100" W.C.
Model 2150 - Range 0 to 150" W.C.

Stainless Steel flexible connector for easy connection to your system to prevent transfer of vibration. Standard connections are 5" M. NPT x 36" long. (optional sizes available).
Model No. - P3-5X36



Vacuum Relief valve required for vacuum applications to protect the blower from operating at excessive vacuum which can cause overheating and premature bearing failure. Connection is 4" F. NPT.
Model VRL9.



OTHER OPTIONS ARE AVAILABLE ON REQUEST SUCH AS:

- MAGNETIC MOTOR STARTERS
- VARIABLE FREQUENCY DRIVES
- ENCLOSURES FOR OUTDOOR APPLICATIONS