

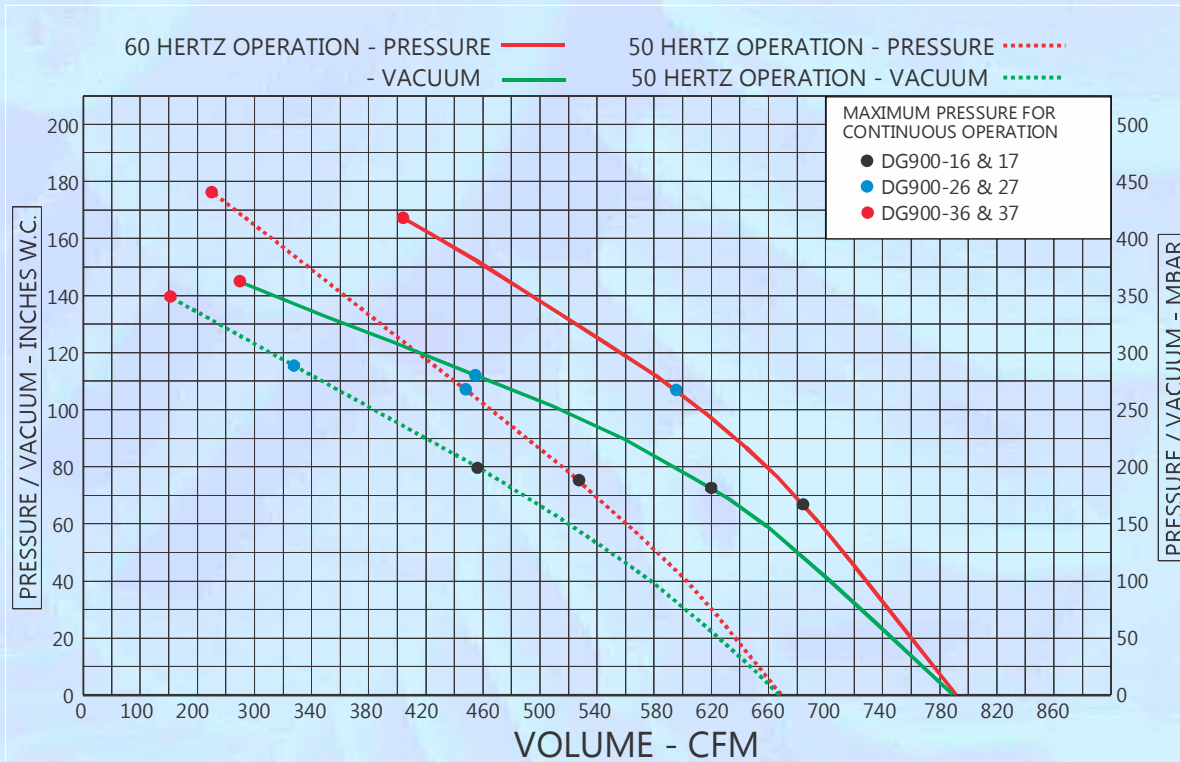
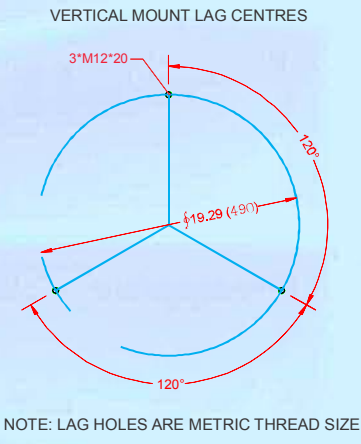
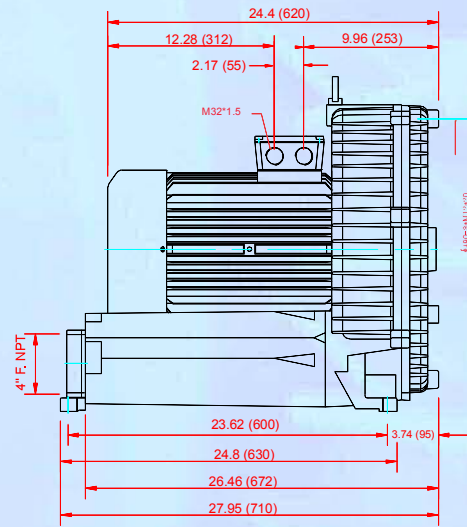
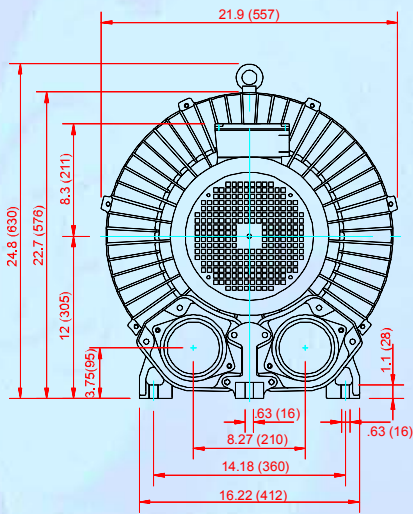
MODEL DG900-16, 17, 26, 27, 36 & 37 REGENERATIVE BLOWERS (RING COMPRESSORS)

CONSTRUCTION FEATURES

- Fine grain cast aluminum impeller and casings for maximum heat dissipation
- C-UL-US registered for service in Canada and the USA
- IP-55 rated (TEFC) motors
- Mountable in either horizontal or vertical positions
- Inlet and outlet silencers for quiet operation
- 4" F. NPT connection size



DIMENSIONS - INCHES (MM)



ELECTRICAL SPECIFICATIONS AND CAPACITIES




| MODEL NUMBER | PH | HZ | VOLTAGE | RATED kW | MAX AMPS | * MAX. PRESS. IN. W.C. | * MAX VAC IN. W.C. | MAX FLOW CFM | WT. LBS | NOISE LEVEL dBA |
|--------------|--------|----------|------------------------------------|----------|--------------------------|------------------------|--------------------|--------------|---------|-----------------|
| DG900-16 | 3 3 | 50 60 | 200-240/345-415 220-275/380-480 | 9 11 | 36 / 20.8 37 / 21.4 | 76 68 | 80 72 | 668 790 | 220 | 76 81 |
| DG900-17 | 3 | 60 | 575 | 11 | 16 | 68 | 72 | 790 | 220 | 81 |
| DG900-26 | 3 3 | 50 60 | 200-240/345-415 220-275/380-480 | 13 15 | 46.8 / 27 51.5 / 29.8 | 108 108 | 116 112 | 668 790 | 247 | 76 81 |
| DG900-27 | 3 | 60 | 575 | 15 | 19 | 108 | 112 | 790 | 247 | 81 |
| DG900-36 | 3 3 | 50 60 | 200-240/345-415 220-275/380-480 | 20 22 | 66.7 / 38.6 76 / 44 | 176 168 | 140 146 | 668 790 | 350 | 76 81 |
| DG900-37 | 3 | 60 | 575 | 22 | 28 | 168 | 146 | 790 | 350 | 81 |

* Maximum operating pressure and vacuum levels are based on optimum supply voltage. Low (or high) voltage supply may reduce the achievable pressure/vacuum levels while remaining within nameplate amperage limitations.


RECOMMENDED OPTIONAL ACCESSORIES

Inlet strainer provides basic protection for the blower against ingestion of damaging particles. Washable 100 mesh stainless steel screen and mild steel 4" M. NPT connection.



Model 200-4-N-8.1-100

In-line vacuum filter for vacuum systems or remote air intake for pressure. Replaceable 10 micron paper cartridge (optional polyester element).




Model CSL-334P-400HC

Inlet filter/silencer provides 10 micron filtration for blower and process protection. Replaceable paper cartridge (optional polyester element or filtration ratings). 4" M. NPT connection.




Model FS-244P-400

Exhaust mufflers for vacuum applications and in-line silencers for inlet or exhaust application.




Model VFY-030A In-line silencer
4" F. NPT Connections

Pressure Relief Valve for installation in the discharge piping for pressure applications, is required to protect the blower from operating at excessive pressure and/or allowing constant pressure operation.




Model VRL9

Check valves prevent back-flow during blower off periods where installations include multiple blowers. Size according to system piping to prevent excessive pressure drop.




Model 5002A-4, 4" conn.
Model 5002A-5", 5" connection

Magnehelic pressure gauge may be used for pressure, vacuum or differential pressures determined by the connections used.




Model 2150 - Range 0 to 150" W.C.
Model 2210 - Range 0 to 10 PSIG

Stainless Steel flexible connector for easy connection to your system to prevent transfer of vibration. Standard connections are 4" M. NPT x 24" long. (optional sizes available).




Model No. - P3-4X24

Vacuum Relief valve required for vacuum applications to protect the blower from operating at excessive vacuum which can cause overheating and premature bearing failure. Connection is 4" F. NPT.



Model VRL9.

Vibration isolation mounts for horizontal or vertical mounting of blower.



Model 4C976 Pads (Horizontal mounting)
Model KMN5XK87 (Vertical mounting - M12 studs both ends).