

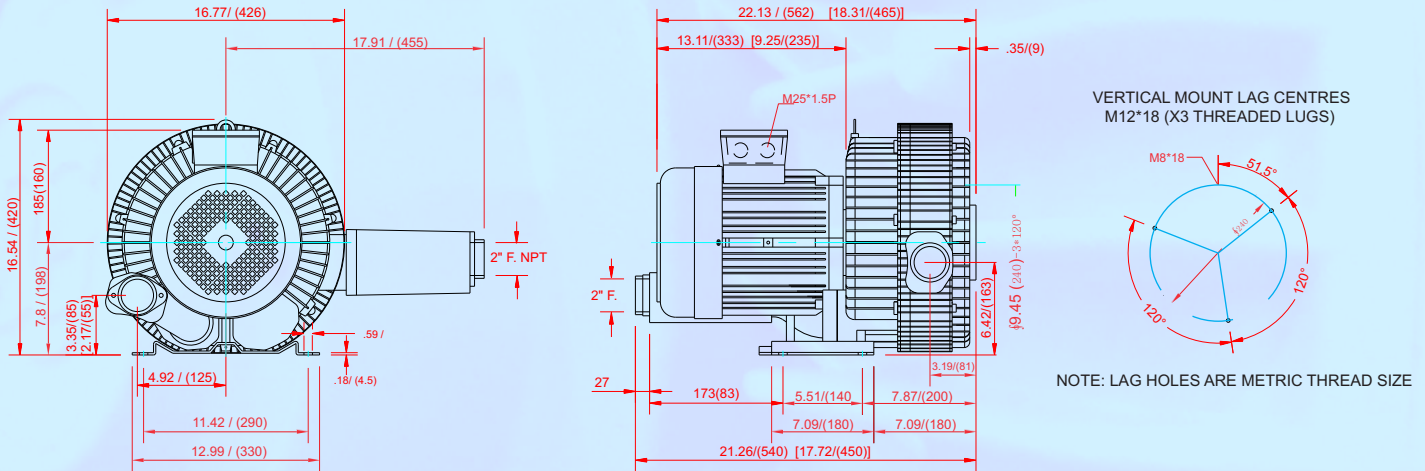
2-STAGE REGENERATIVE BLOWERS (RING COMPRESSORS) MODELS DG630-26, 27, 36, 37, 46 & 47

CONSTRUCTION FEATURES

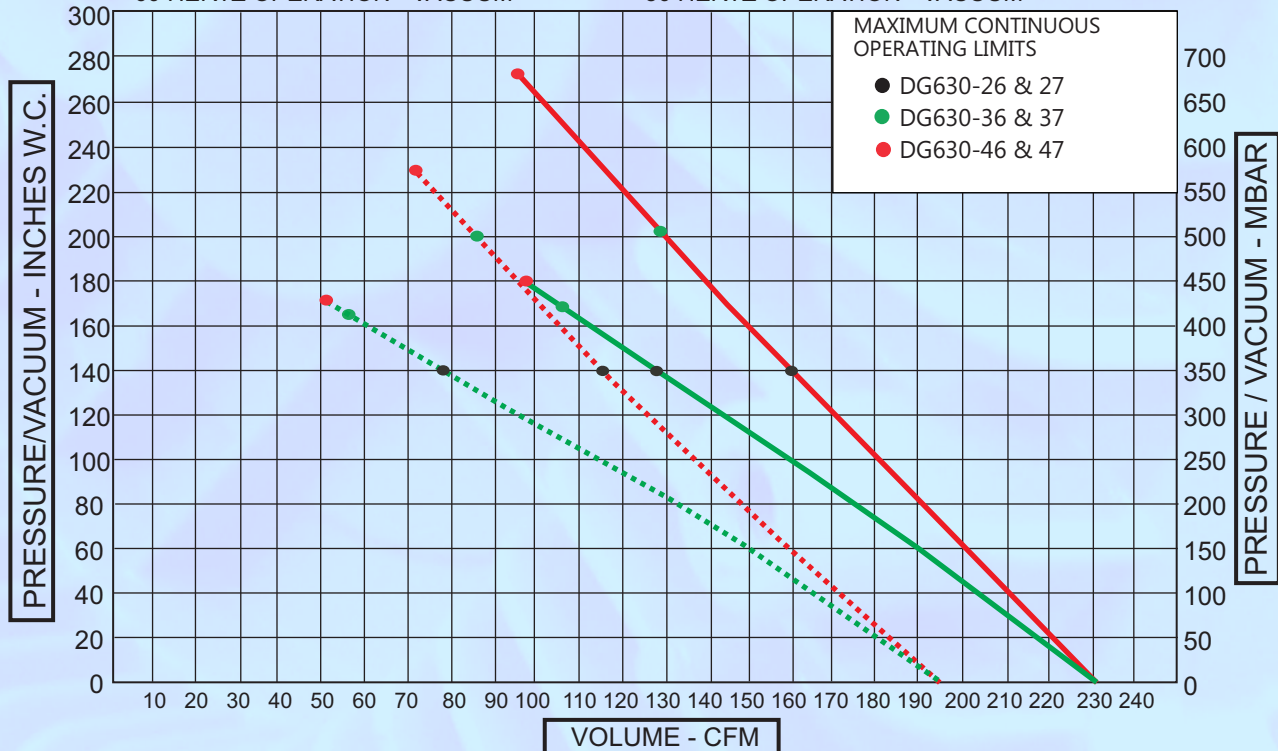
- Fine grain cast aluminum impeller and casings for maximum heat dissipation
- C-UL-US registered for service in Canada and the USA
- IP-55 rated (TEFC) motors
- Mountable in either horizontal or vertical positions
- Inlet and outlet silencers for quiet operation
- 2" F. NPT connection size



DIMENSIONS - INCHES (MM) MODELS DG630-3*,4* MODELS DG630-2* = []



60 HERTZ OPERATION - PRESSURE (Red solid line) 50 HERTZ OPERATION - PRESSURE (Red dotted line)
60 HERTZ OPERATION - VACUUM (Green solid line) 50 HERTZ OPERATION - VACUUM (Green dotted line)



ELECTRICAL SPECIFICATIONS AND CAPACITIES



MODEL NUMBER	PH	HZ	VOLTAGE	RATED kW	MAX AMPS	* MAX. PRESS. IN. W.C.	* MAX VAC IN. W.C.	MAX FLOW CFM	WT. LBS	NOISE LEVEL dBA
DG630-26	3 3	50 60	200-240/345-415 220-275/380-480	4 4.6	14.3 / 8.2 16.2 / 9.3	140 140	140 140	194 230	121	75 79
DG630-27	3	60	575	4.6	5.9	140	140	230	121	79
DG630-36	3 3	50 60	200-240/345-415 220-275/380-480	5.5 6.3	20.7 / 11.8 26.1 / 13.8	200 201	164 169	194 230	159	75 79
DG630-37	3	60	3/60/575	6.3	10.5	201	169	230	159	79
DG630-46	3	50 60	200-240/345-415 220-275/380-480	7.5 8.6	31.5/18.2 37 / 21.3	233 271	168 180	194 230	181	75 82
DG630-47	3	60	3/60/575	8.6	14.1	271	180	230	181	82

* Maximum operating pressure and vacuum levels are based on optimum supply voltage. Low (or high) voltage supply may reduce the achievable pressure/vacuum levels while remaining within nameplate amperage limitations.

RECOMMENDED OPTIONAL ACCESSORIES

Inlet filter/silencer provides 10 micron filtration for blower and process protection. Replaceable paper cartridge (optional polyester element or filtration ratings). 2.5" M. NPT connection.
Model FS-30P-250



Inlet strainer provides basic protection for the blower against ingestion of damaging particles. Washable 100 mesh stainless steel screen and plastic 2" M. NPT connection.



Model P50-2N-100

Pressure Relief Valve for installation in the discharge piping for pressure applications, is required to protect the blower from operating at excessive pressure and/or allowing constant pressure operation.
Model PR-13



In-line vacuum filter for vacuum systems or remote air intake for pressure. Replaceable 10 micron paper cartridge (optional polyester element).
Model CSL-850-200HC
Model CSL-850-250HC



Magnehelic pressure gauge may be used for pressure, vacuum or differential pressures determined by the connections used.



Model 2150 - Range 0 to 150" W.C.
Model 2210 - Range 0 to 10 PSIG

Exhaust mufflers for vacuum applications and in-line silencers for inlet or exhaust application.
Model B-168, 2" Exh. Muffler (2 may be required)
Model VFY-026A In-line silencer
2" F. NPT Connections



Vacuum Relief valve required for vacuum applications to protect the blower from operating at excessive vacuum which can cause overheating and premature bearing failure. Connection is 1-1/2" F. NPT.
Model VR-13.



Check valves prevent back-flow during blower off periods where installations include multiple blowers. Size according to system piping to prevent excessive pressure drop.
Model 5002A-2, 2" conn.
Model 5002A-2.5, 2-1/2" conn.



Vibration isolation mounts for horizontal or vertical mounting of blower.
Model 4C912 Pads (Horizontal mounting)
Model KMN5XK75 (Vertical mounting - M8 studs both ends).



Stainless Steel flexible connector for easy connection to your system to prevent transfer of vibration. Standard connections are 2" M. NPT x 24" long. (optional sizes available).
Model No. - PARRAP 2" x 24"

