

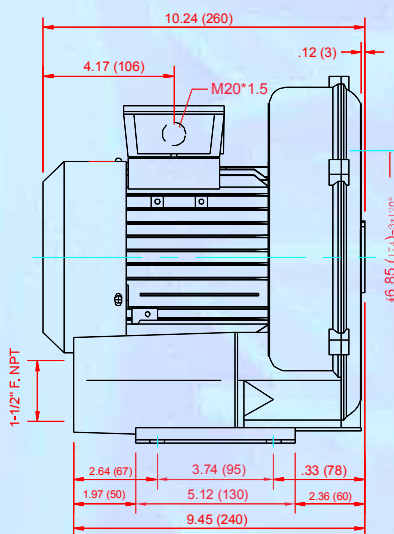
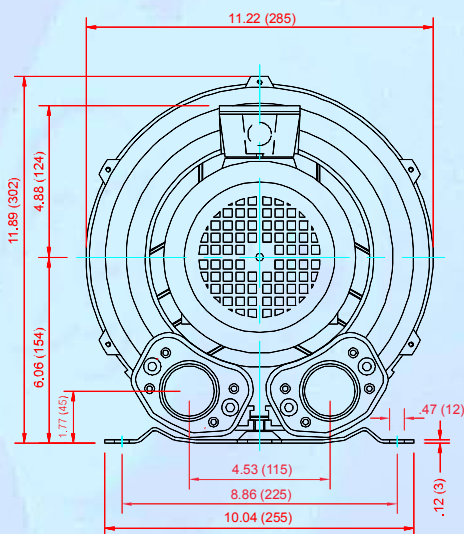
MODEL DG300-11 through 37 REGENERATIVE BLOWERS (RING COMPRESSORS)

CONSTRUCTION FEATURES

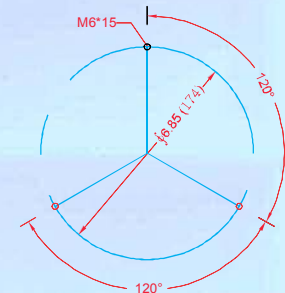
- Fine grain cast aluminum impeller and casings for maximum heat dissipation
- C-UL-US registered for service in Canada and the USA
- IP-55 rated (TEFC) motors
- Mountable in either horizontal or vertical positions
- Inlet and outlet silencers for quiet operation
- 1-1/2" F. NPT connection size



DIMENSIONS - INCHES (MM)



VERTICAL MOUNT LAG CENTRES
M6*15 (X3 THREADED LUGS)



NOTE: LAG HOLES ARE METRIC THREAD SIZE

PRESSURE

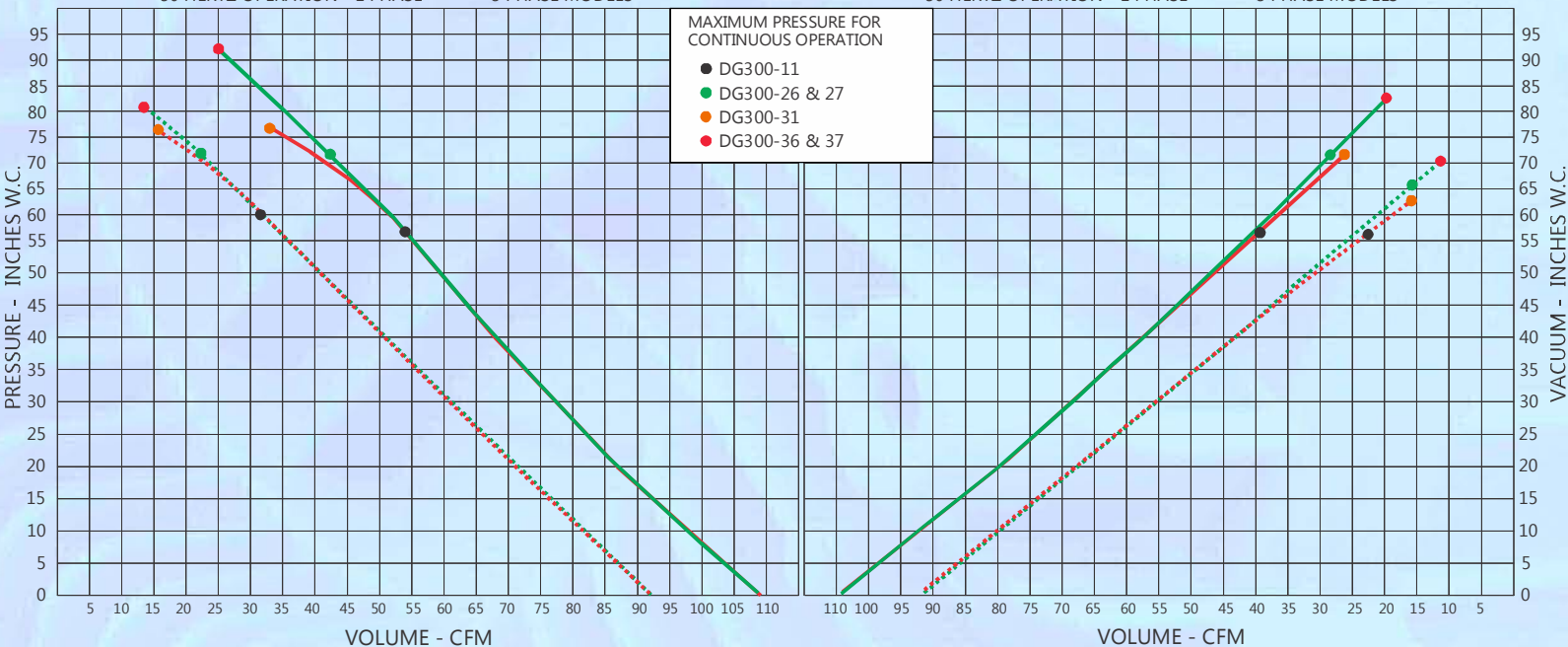
60 HERTZ OPERATION - 1 PHASE — 3 PHASE MODELS —
50 HERTZ OPERATION - 1 PHASE - - - - - 3 PHASE MODELS - - - - -

VACUUM

60 HERTZ OPERATION - 1 PHASE — 3 PHASE MODELS —
50 HERTZ OPERATION - 1 PHASE - - - - - 3 PHASE MODELS - - - - -

MAXIMUM PRESSURE FOR CONTINUOUS OPERATION

- DG300-11
- DG300-26 & 27
- DG300-31
- DG300-36 & 37



ELECTRICAL SPECIFICATIONS AND CAPACITIES

MODEL NUMBER	PH	HZ	VOLTAGE	RATED KW	MAX AMPS	* MAX PRESS IN. W.C.	* MAX VAC IN. W.C.	MAX FLOW CFM	WT. LBS	NOISE LEVEL
DG300-11	1 1	50 60	100-120/200-240 110-120/220-240	.75 .85	11.6 / 5.8 13 / 6.5	60 56	56 56	92 110	35.2	63 64
DG300-31	1	50 60	100-120/200-240 110-120/220-240	1.1 1.3	14.6 / 7.3 16.6 / 8.3	76 76	64 72	92 110	36.3	63 64
DG300-26	3 3	50 60	200-240/345-415 220-275/380-480	.9 1.1	4.2/2.4 4.5/2.6	72 72	66 72	92 110	33	63 64
DG300-27	3	60	575	1.1	1.8	72	72	110	33	64
DG300-36	3	50 60	200-240/345-415 220-275/380-480	1.3 1.5	4.6 / 2.65 5.25 / 3	80 90	70 82	92 110	35.2	63 64
DG300-37	3	60	575	1.5	2.1	90	82	110	35.2	64

* Maximum operating pressure and vacuum levels are based on optimum supply voltage. Low (or high) voltage supply may reduce the achievable pressure/vacuum levels while remaining within nameplate amperage limitations.

RECOMMENDED OPTIONAL ACCESSORIES

Inlet strainer provides basic protection for the blower against ingestion of damaging particles. Washable 100 mesh stainless steel screen and meta 1.5" F. NPT connection.



Model SS-30

In-line vacuum filter for vacuum systems or remote air intake for pressure. Replaceable 10 micron paper cartridge (optional polyester element). Model CSL-848-150HC Model CSL-850-200HC



Inlet filter/silencer provides 10 micron filtration for blower and process protection. Replaceable paper cartridge (optional polyester element or filtration ratings). 1.5" M. NPT connection. Model FS-18P-150



Exhaust mufflers for vacuum applications and in-line silencers for inlet or exhaust application. Model B-168, 2" Exh. Muffler



Model VFY-026A In-line silencer 2" F. NPT Connections



Pressure Relief Valve for installation in the discharge piping for pressure applications, is required to protect the blower from operating at excessive pressure and/or allowing constant pressure operation. Model PR-11



Check valves prevent back-flow during blower off periods where installations include multiple blowers. Size according to system piping to prevent excessive pressure drop. Model 5002A-1.5, 1.5" conn. Model 5002A-2, 2" conn.



Magnehelic pressure gauge may be used for pressure, vacuum or differential pressures determined by the connections used.



Model 2150 - Range 0 to 150" W.C.

Stainless Steel flexible connector for easy connection to your system to prevent transfer of vibration. Standard connections are 1.5" M. NPT x 24" long. (optional sizes available). Model No. - PARRAP 1.5" x 24"



Vacuum Relief valve required for vacuum applications to protect the blower from operating at excessive vacuum which can cause overheating and premature bearing failure. Connection is 1-1/2" F. NPT. Model VR-11.



Vibration isolation mounts for horizontal or vertical mounting of blower. Model 4C912 Pads (Horizontal mounting) Model KMN5XK75 (Vertical mounting - M8 studs both ends).

